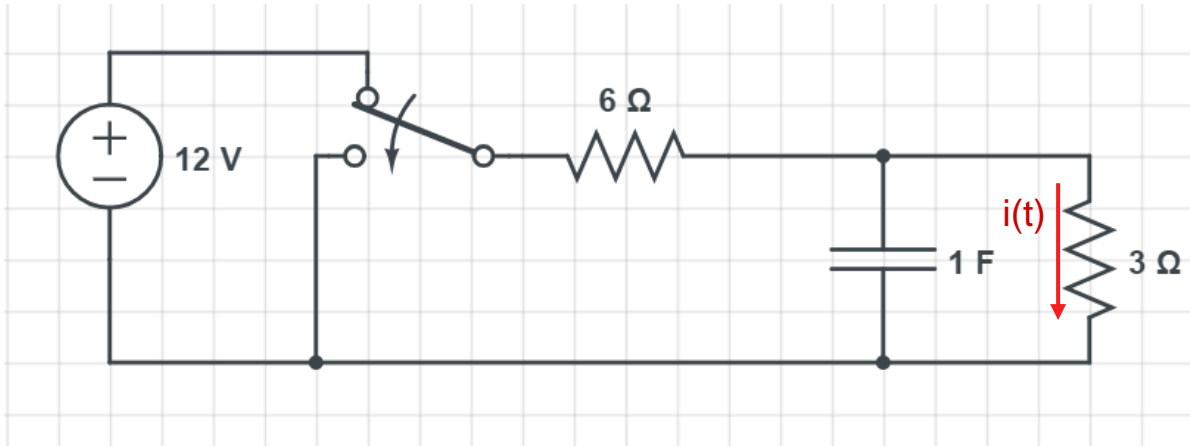


# First Order Circuits

## Problems – In class

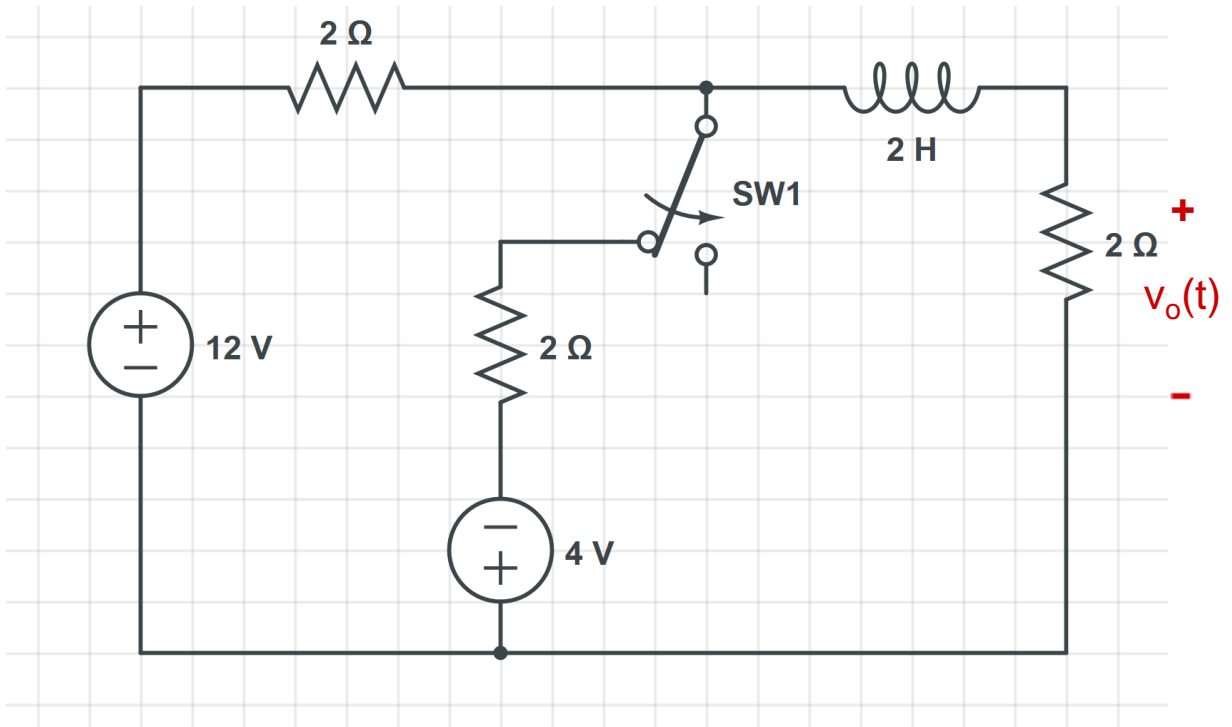
**Problem 1:** In the following circuit, the switch is operated at  $t=0$ . Determine the current  $i(t)$  through  $3\Omega$  resistor for all times.



# First Order Circuits

## Problems – In class

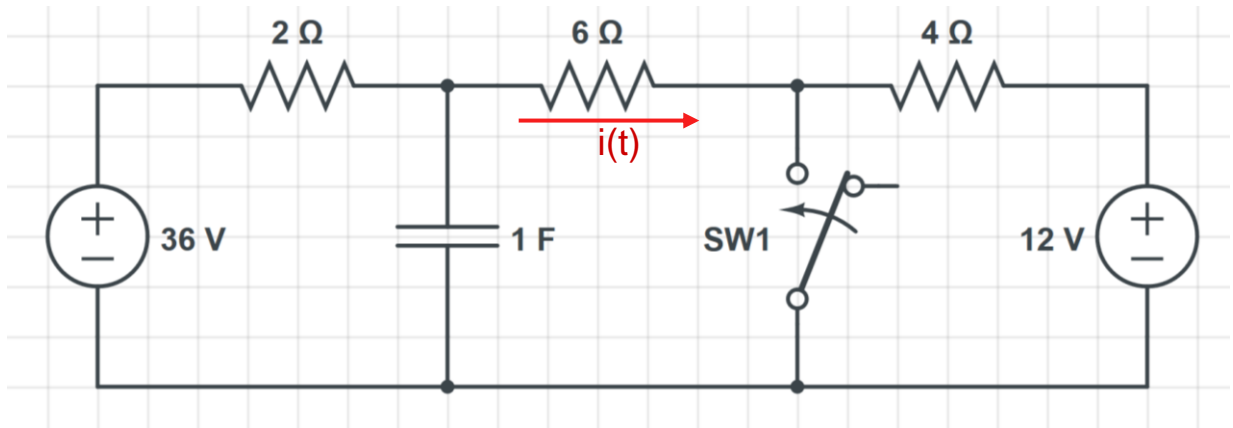
**Problem 2:** In the following circuit, the switch is operated at  $t=0$ . Determine the voltage  $v_o(t)$  for all times.



# First Order Circuits

## Problems – In class

**Problem 3:** In the following circuit, the switch is operated at  $t=0$ . Determine the current  $i(t)$  for all times.



# First Order Circuits

## Problems – In class

**Problem 4:** In the following circuit, the switch is operated at  $t=0$ . Determine the voltage  $v_o(t)$  for all times.

