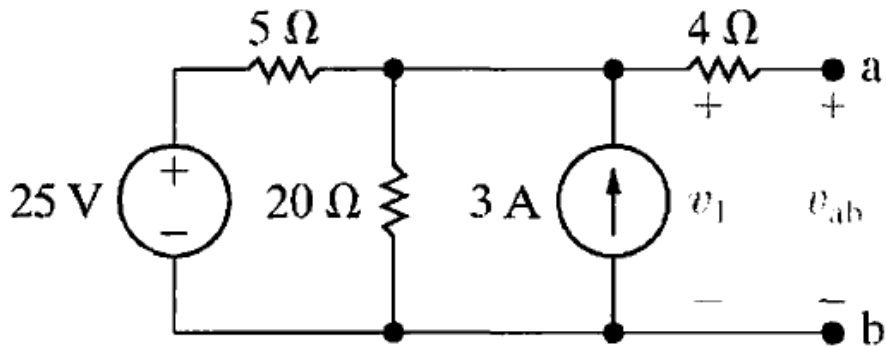


Thevenin's and Norton's Theorems

Problems – In class

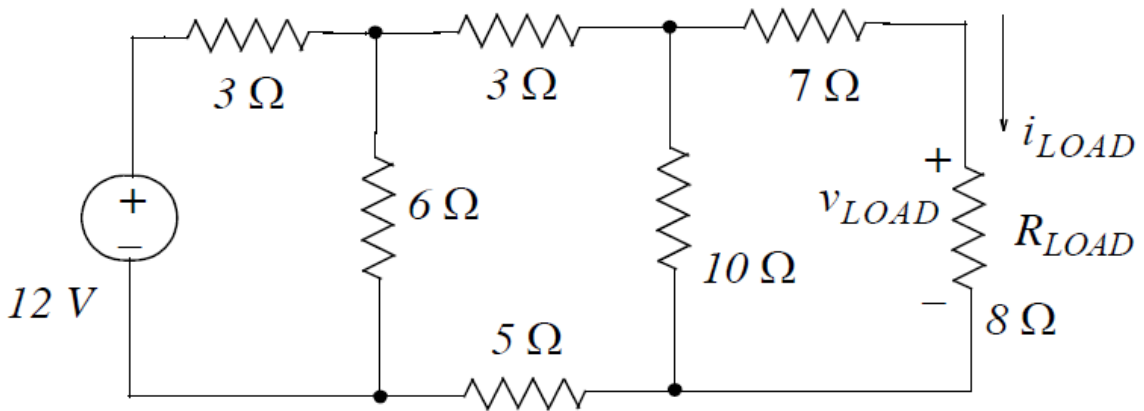
Problem 1: Find the Thevenin's equivalent circuit for the following circuit.



Thevenin's and Norton's Theorems

Problems – In class

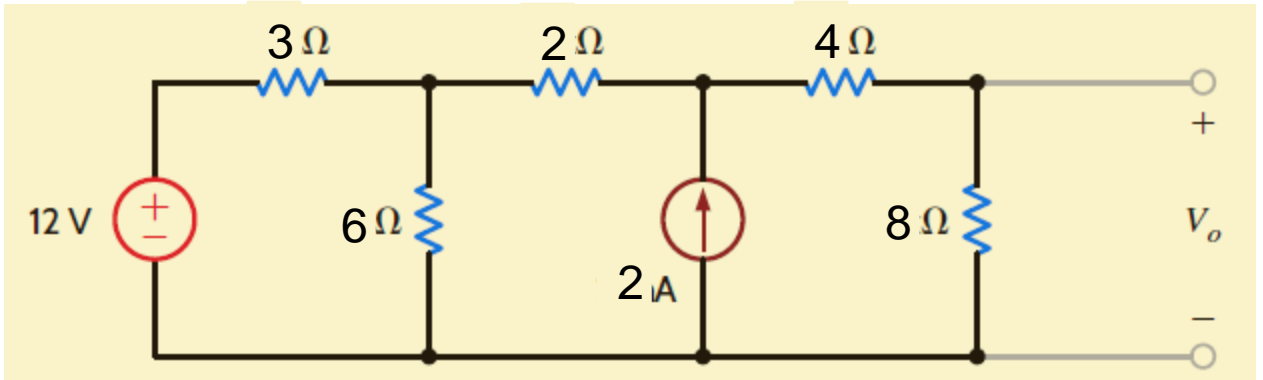
Problem 2: Find i_{LOAD} through R_{LOAD} using Thevenin's theorem



Thevenin's and Norton's Theorems

Problems – In class

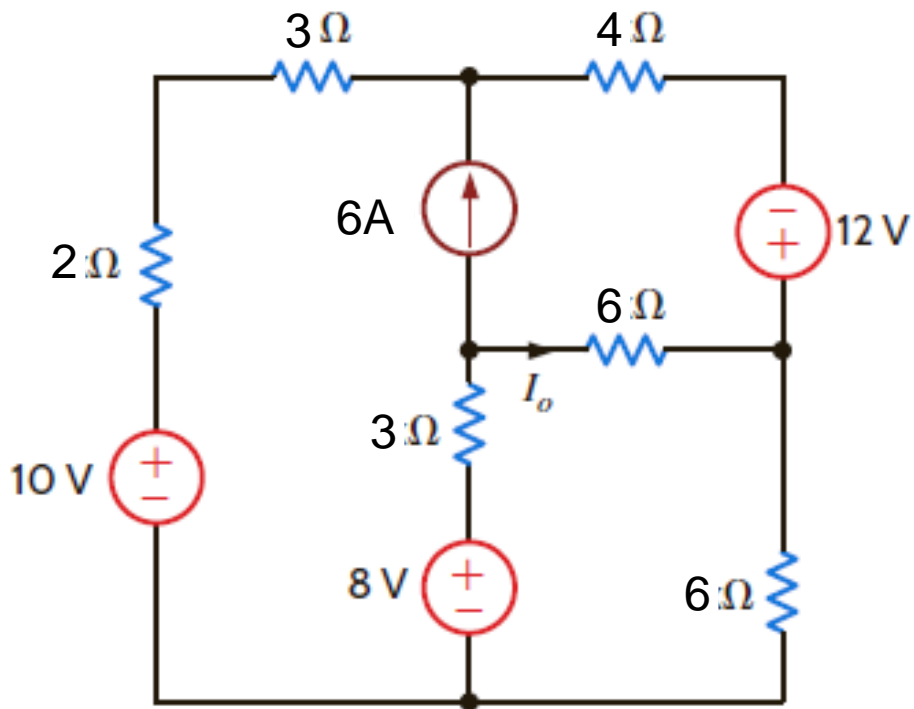
Problem 3: Find V_o using Thevenin's theorem



Thevenin's and Norton's Theorems

Problems – In class

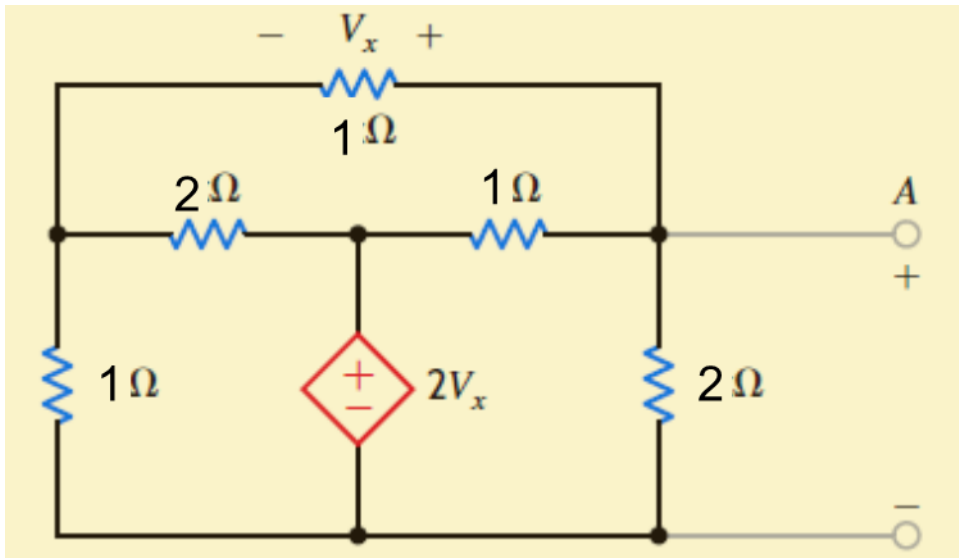
Problem 4: Find I_o using Thevenin's theorem



Thevenin's and Norton's Theorems

Problems – In class

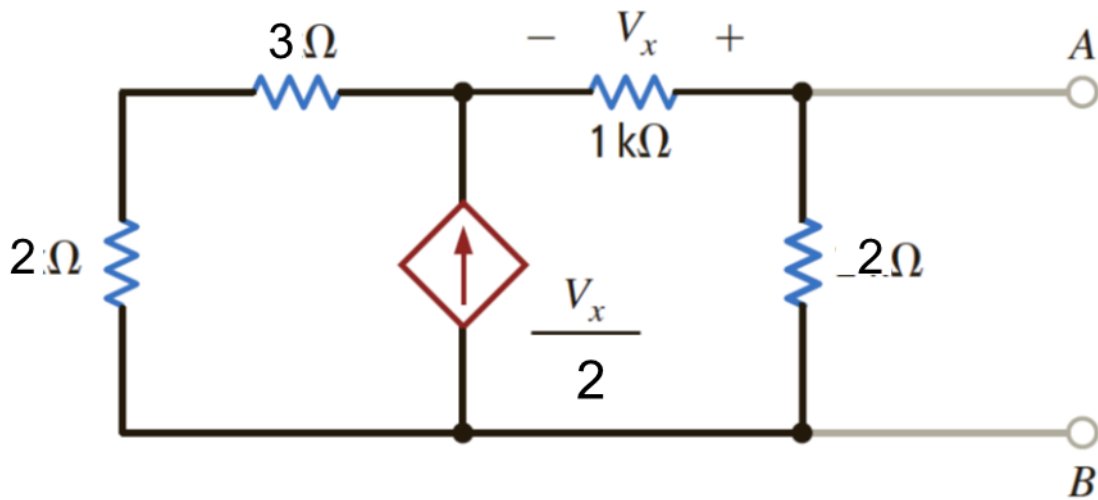
Problem 5: Find the Thevenin equivalent circuit for the following circuit with respect to the terminals AB (Irwin – Example 5.8)



Thevenin's and Norton's Theorems

Problems – In class

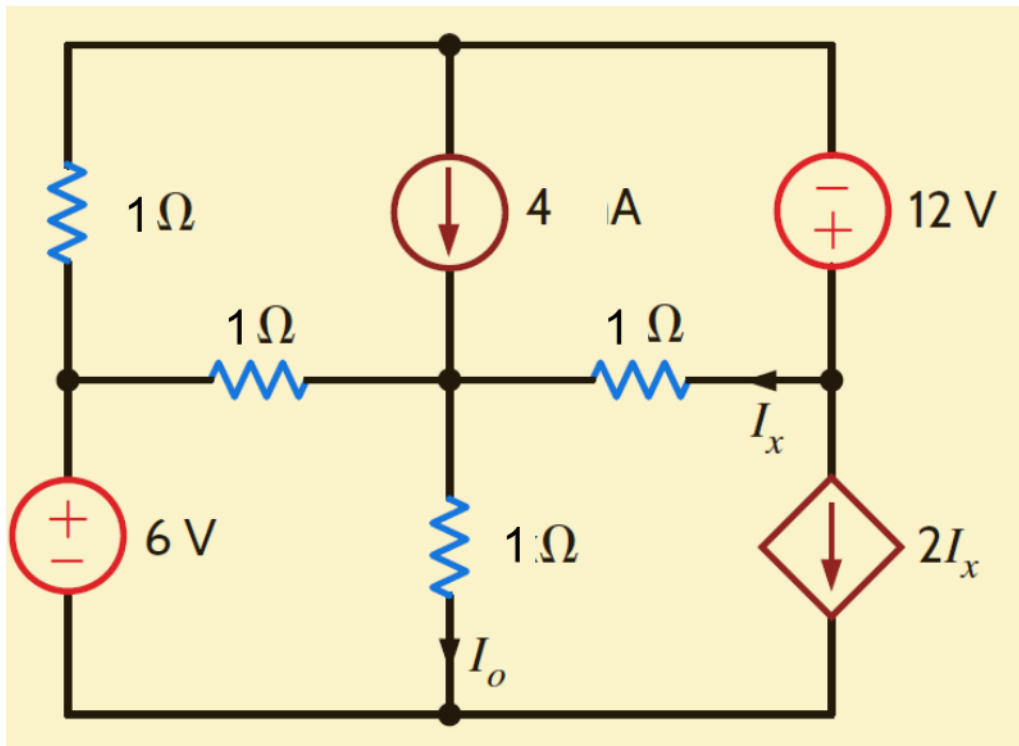
Problem 6: Find the Thevenin equivalent circuit for the following circuit with respect to the terminals AB (Irwin – E 5.13)



Thevenin's and Norton's Theorems

Problems – In class

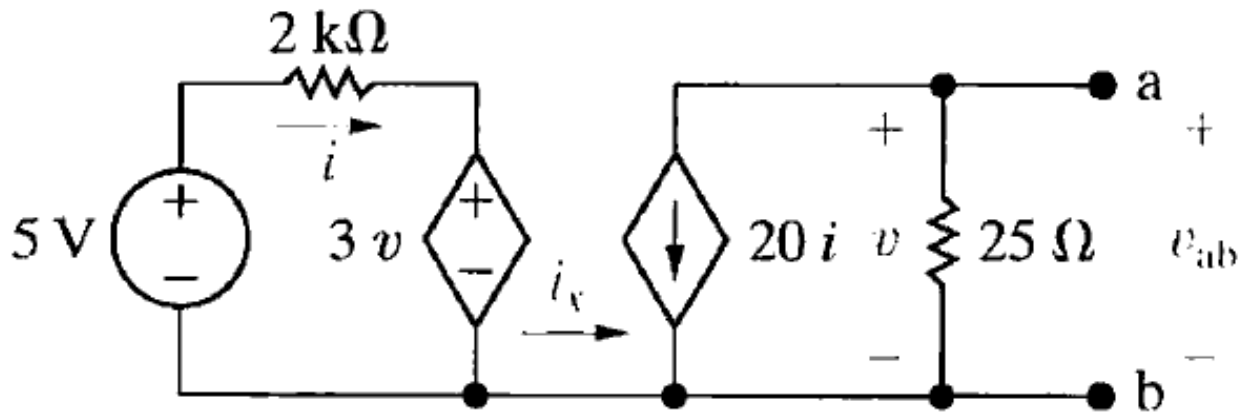
Problem 7: Find I_o using Thevenin's theorem



Thevenin's and Norton's Theorems

Problems – In class

Problem 8: Find the Thevenin equivalent circuit for the following circuit with respect to the terminals a,b



Thevenin's and Norton's Theorems

Problems – In class

Problem 9: Find the Thevenin equivalent circuit for the following circuit with respect to the terminals a,b

