

LAHORE UNIVERSITY OF MANAGEMENT SCIENCES
Department of Electrical Engineering

EE240 Circuits I
Quiz 04 - Section 1

Name: _____

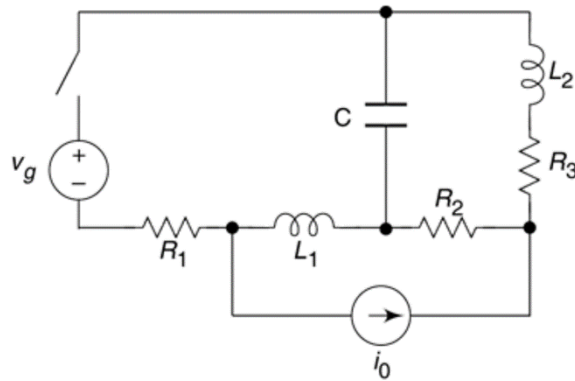
Campus ID: _____

Total Marks: 10

Time Duration: 20 minutes

Question 1 (6 marks)

Draw the dual of the circuit shown below. Open switch appears as closed switch in the dual circuit.



Question 2 (4 marks)

Use either *nodal*, loop or source transformation to determine the current through the 1Ω resistor.

