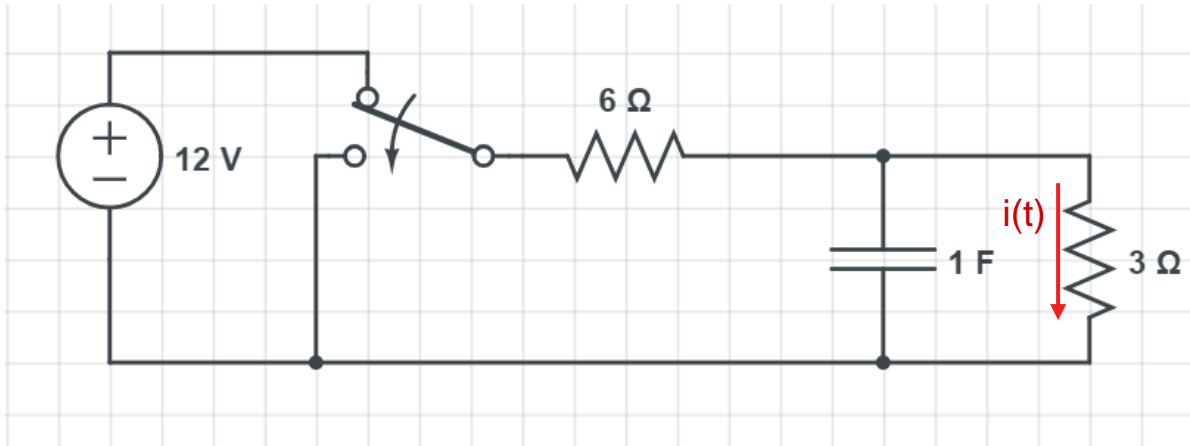


First Order Circuits

Problems – In class

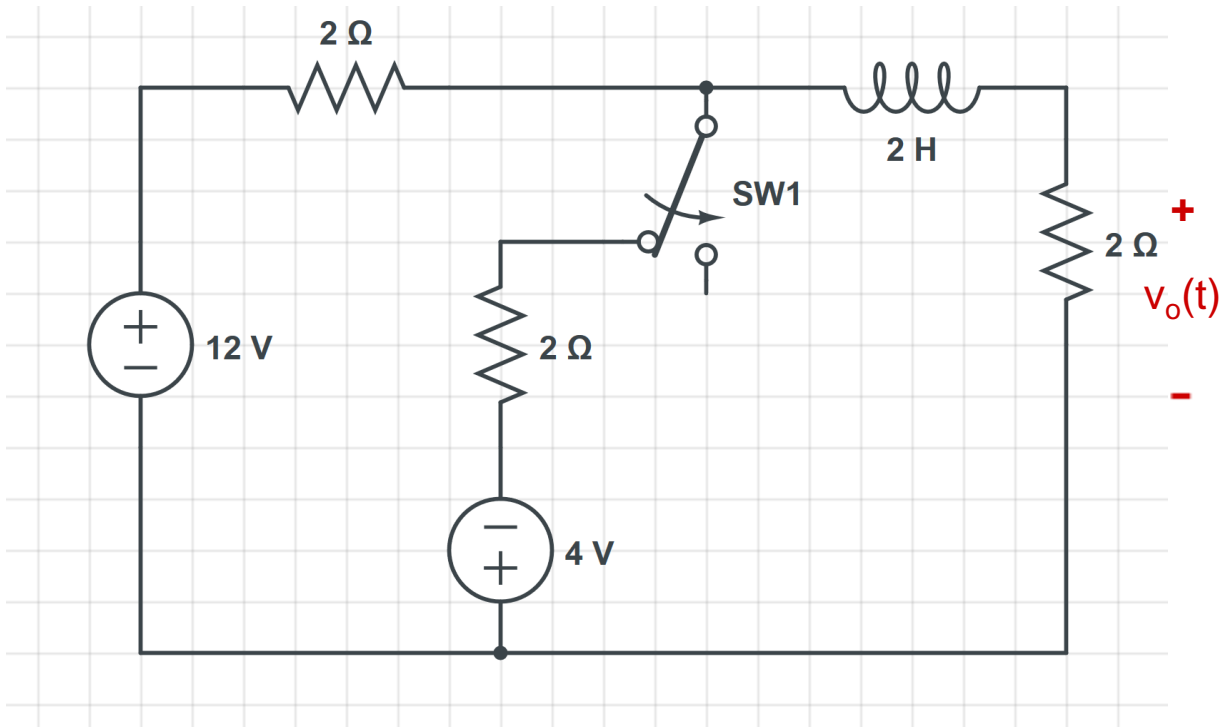
Problem 1: In the following circuit, the switch is operated at $t=0$. Determine the current $i(t)$ through 3Ω resistor for all times.



First Order Circuits

Problems – In class

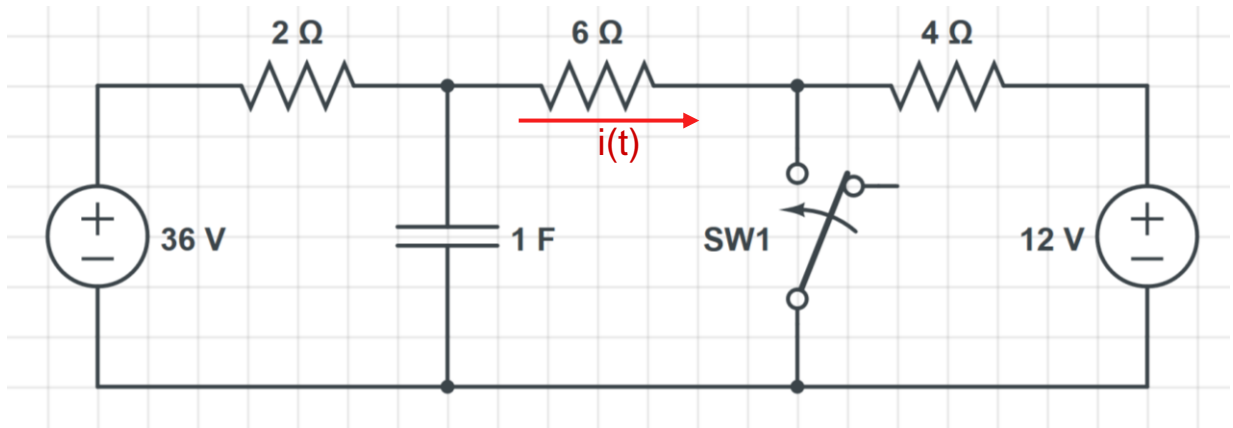
Problem 2: In the following circuit, the switch is operated at $t=0$. Determine the voltage $v_o(t)$ for all times.



First Order Circuits

Problems – In class

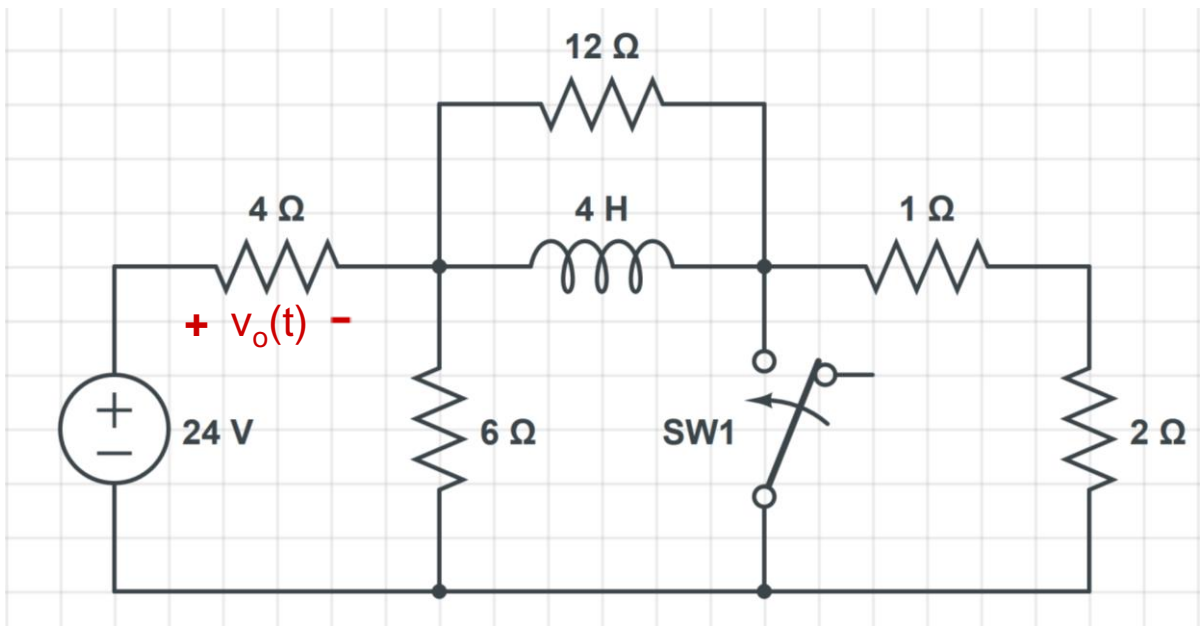
Problem 3: In the following circuit, the switch is operated at $t=0$. Determine the current $i(t)$ for all times.



First Order Circuits

Problems – In class

Problem 4: In the following circuit, the switch is operated at $t=0$. Determine the voltage $v_o(t)$ for all times.



First Order Circuits

Problems – In class

Problem 5: In the following circuit, the switch is operated at $t=0$. Determine the voltage $v_o(t)$ for all times.

