

LAHORE UNIVERSITY OF MANAGEMENT SCIENCES
 Department of Electrical Engineering

EE240 Circuits I
Quiz 03 - Section 1

Name: _____

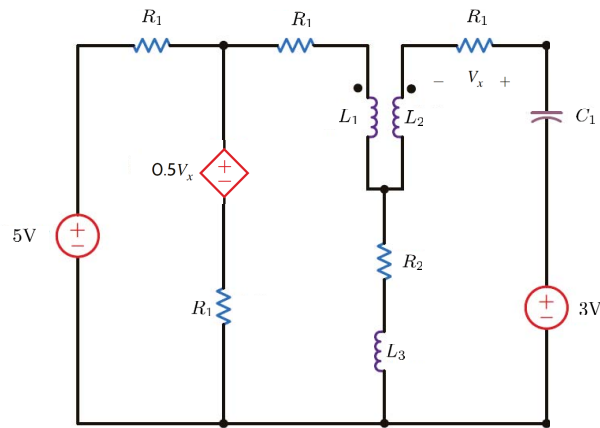
Campus ID: _____

Total Marks: 10

Time Duration: 15 minutes

Question 1 (5 marks)

Consider the network in Figure below, where the inductors L_1 and L_2 are coupled with mutual inductance denoted by M . Write down the network equations using Kirchhoff voltage law.



Question 2 (5 marks)

The figure below show windings marked on a magnetic flux-conducting core. Mark the dots on the windings to establish the mutual coupling.

