

LAHORE UNIVERSITY OF MANAGEMENT SCIENCES
Department of Electrical Engineering

EE240 Circuits I
Quiz 03 - Section 2

Name: _____

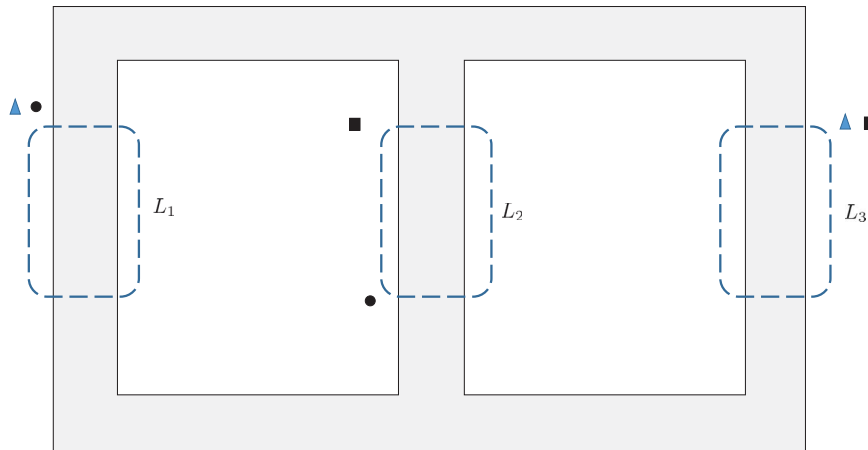
Campus ID: _____

Total Marks: 10

Time Duration: 15 minutes

Question 1 (6 marks)

Three mutually coupled inductors L_1 , L_2 and L_3 with the polarity shown by dot pairs are to be wound on the core on the positions indicated on the diagram given below. Draw these windings on the core maintaining the desired sense of coupling.



Question 2 (4 marks)

Formulate the network equations for the following circuit using the Kirchhoff current law.

