

LAHORE UNIVERSITY OF MANAGEMENT SCIENCES
Department of Electrical Engineering

EE240 Circuits I
Quiz 04 - Section 1

Name: _____

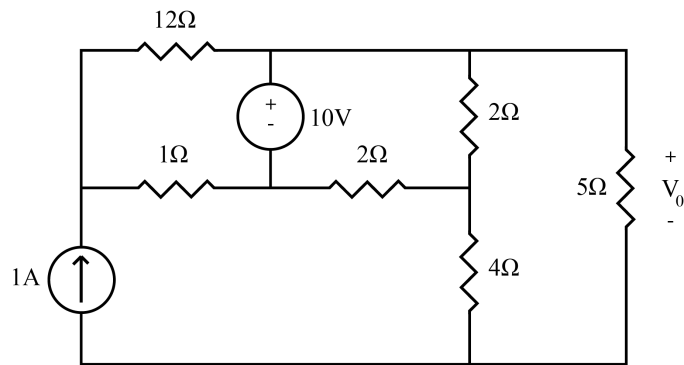
Campus ID: _____

Total Marks: 10

Time Duration: 20 minutes

Question 1 (5 marks)

For the circuit given below, determine V_o using superposition theorem.



Question 2 (5 marks)

Draw the dual of the circuit shown below.

