

LAHORE UNIVERSITY OF MANAGEMENT SCIENCES
Department of Electrical Engineering

EE240 Circuits I
Quiz 03

Name: _____

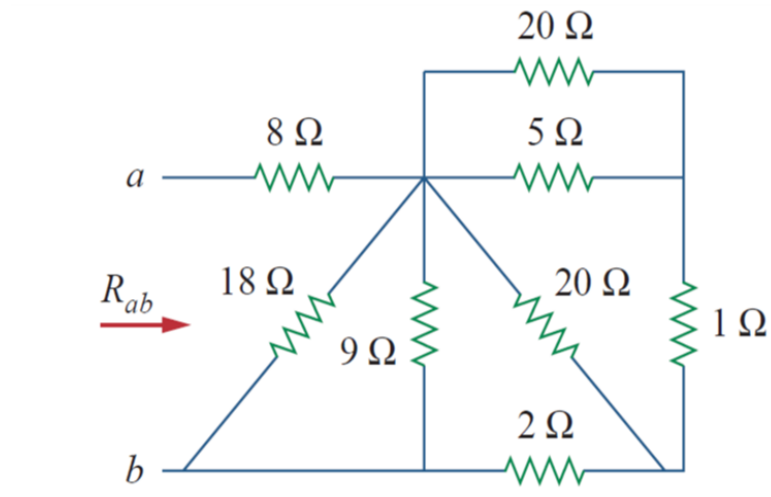
Campus ID: _____

Total Marks: 10

Time Duration: 15 minutes

Question 1 (6 marks)

Find the equivalent resistance R_{ab} for the following network of resistors.



Question 2 (4 marks)

Consider a following circuit with multiple sources. Draw an equivalent circuit with a single source across terminals A and B.

