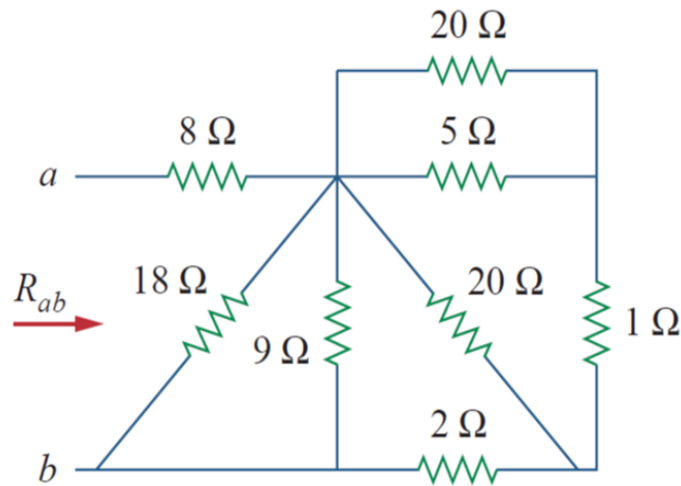


LAHORE UNIVERSITY OF MANAGEMENT SCIENCES
 Department of Electrical Engineering

EE240 Circuits I
Quiz 03 Solutions

Question 1 (6 marks)

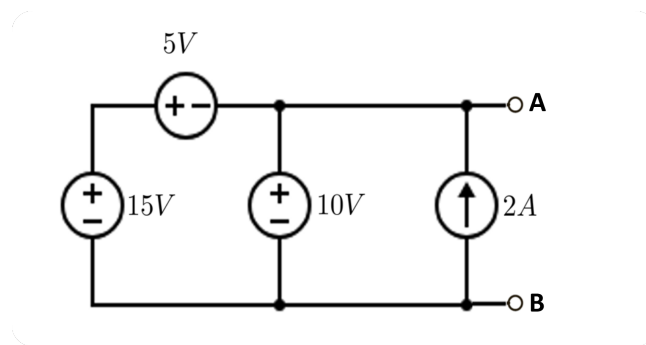
Find the equivalent resistance R_{ab} for the following network of resistors.



Solution: $R_{ab} = 8 + (18 \parallel 9) \parallel (2 + 20 \parallel (20 \parallel 5 + 1)) = 8 + 6 \parallel 6 = 11 \Omega$

Question 2 (4 marks)

Consider a following circuit with multiple sources. Draw an equivalent circuit with a single source across terminals A and B.



Solution: Equivalent circuit will have 10V voltage source only.